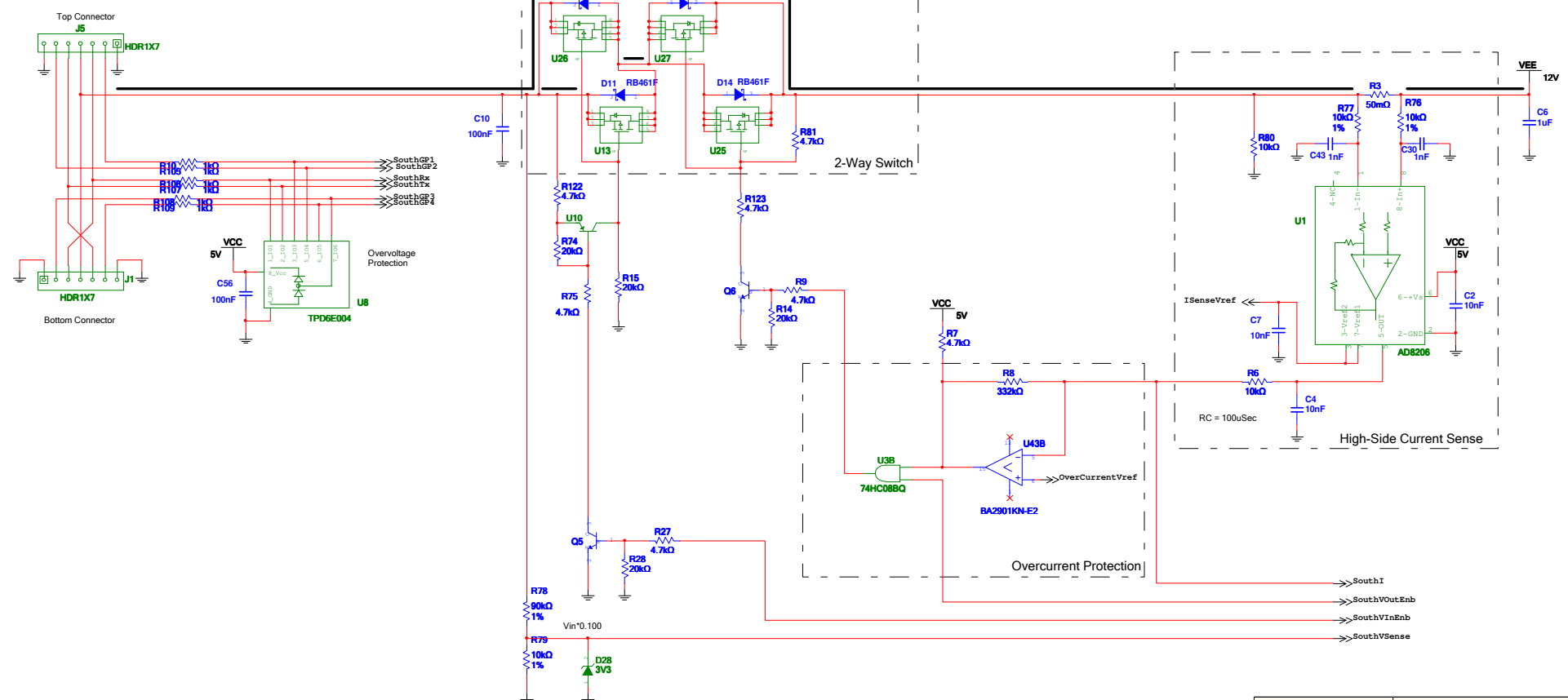
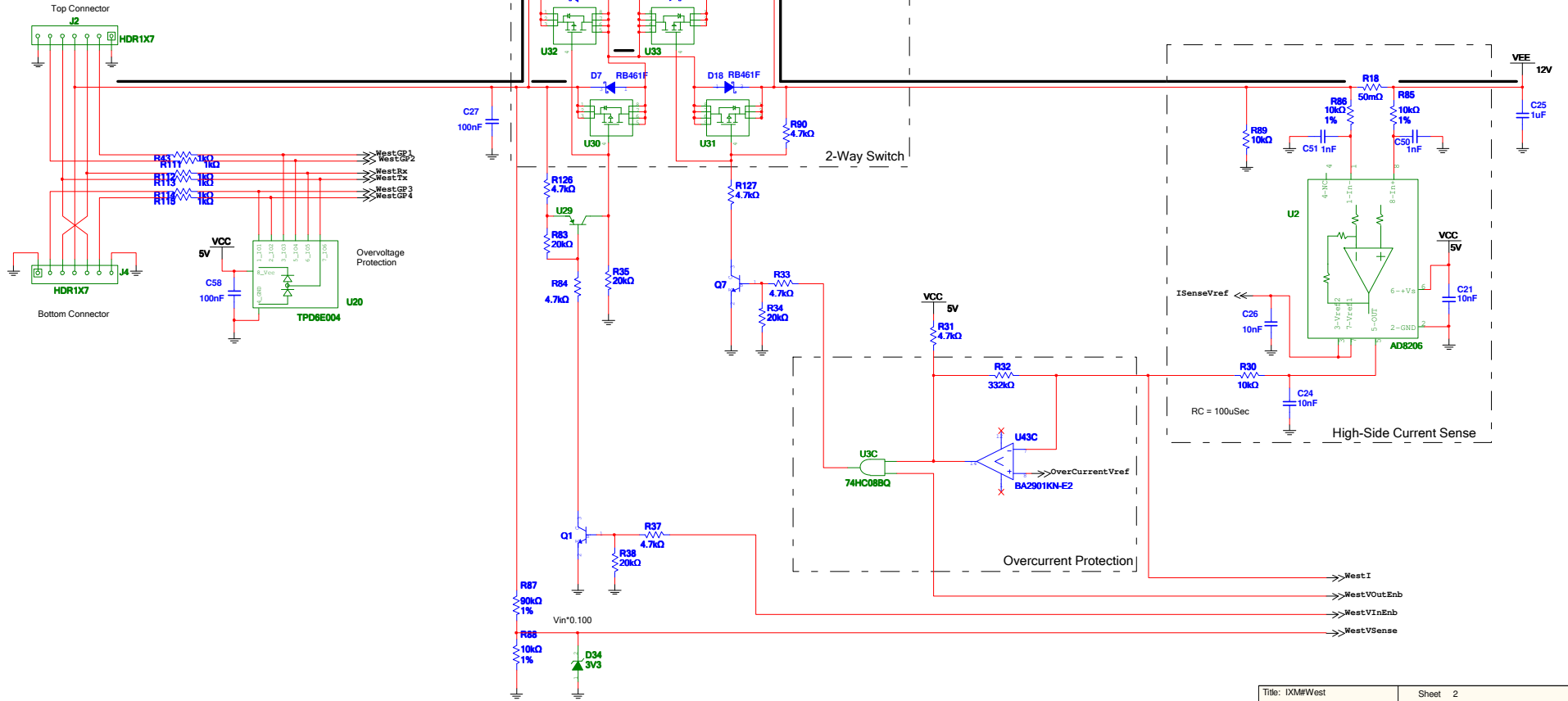


South



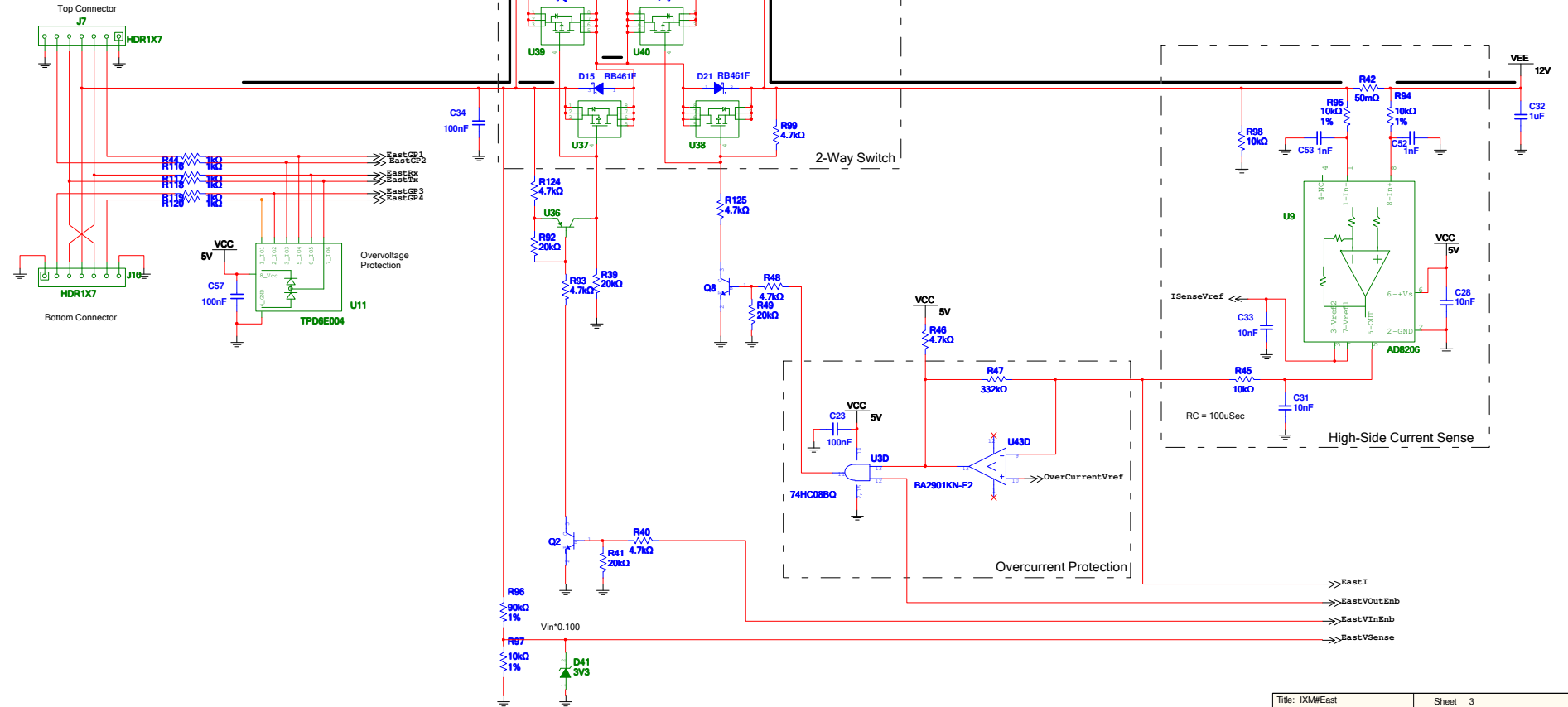
Title: IXMfSouth	Sheet 1
IXM	Date: 2009-08-19 Revision: C

West

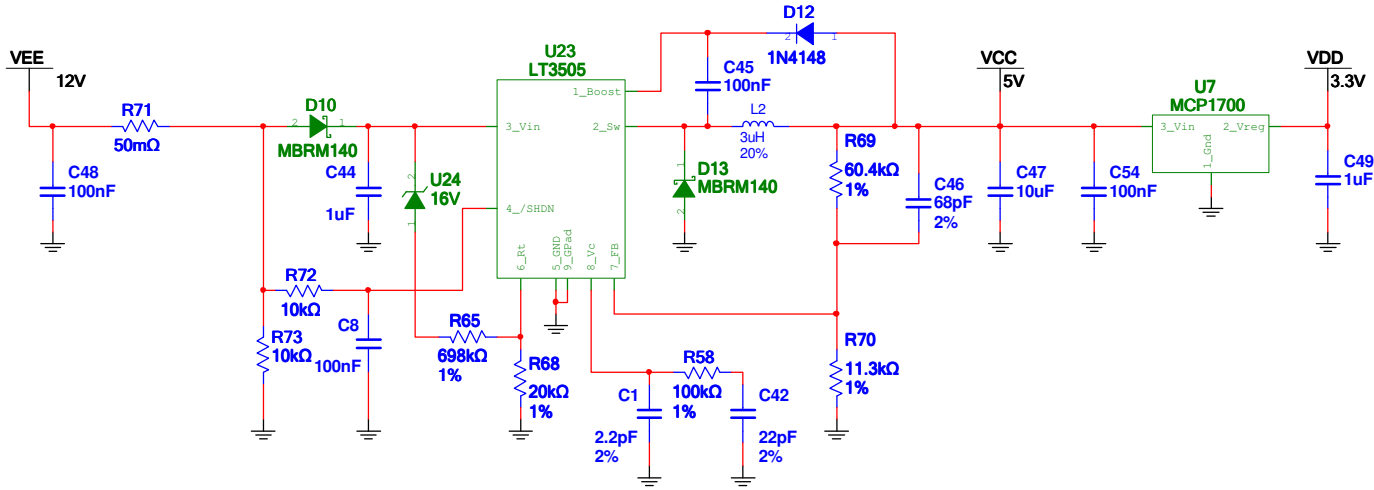


Title: IXMFWest	Sheet 2	
IXM	Date: 2009-08-19	Revision: C
.....		

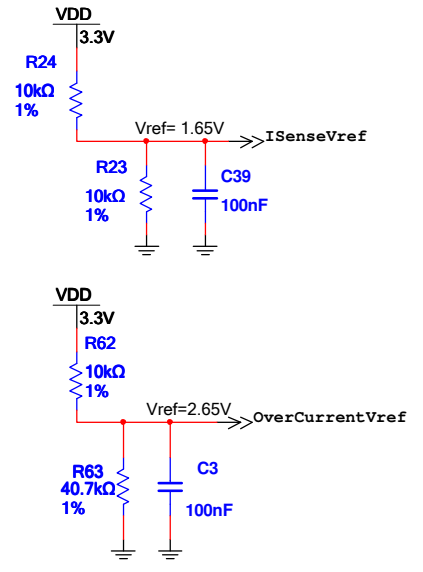
East



Title: IXM#East	Sheet 3
IXM	Date: 2009-08-19 Revision: C

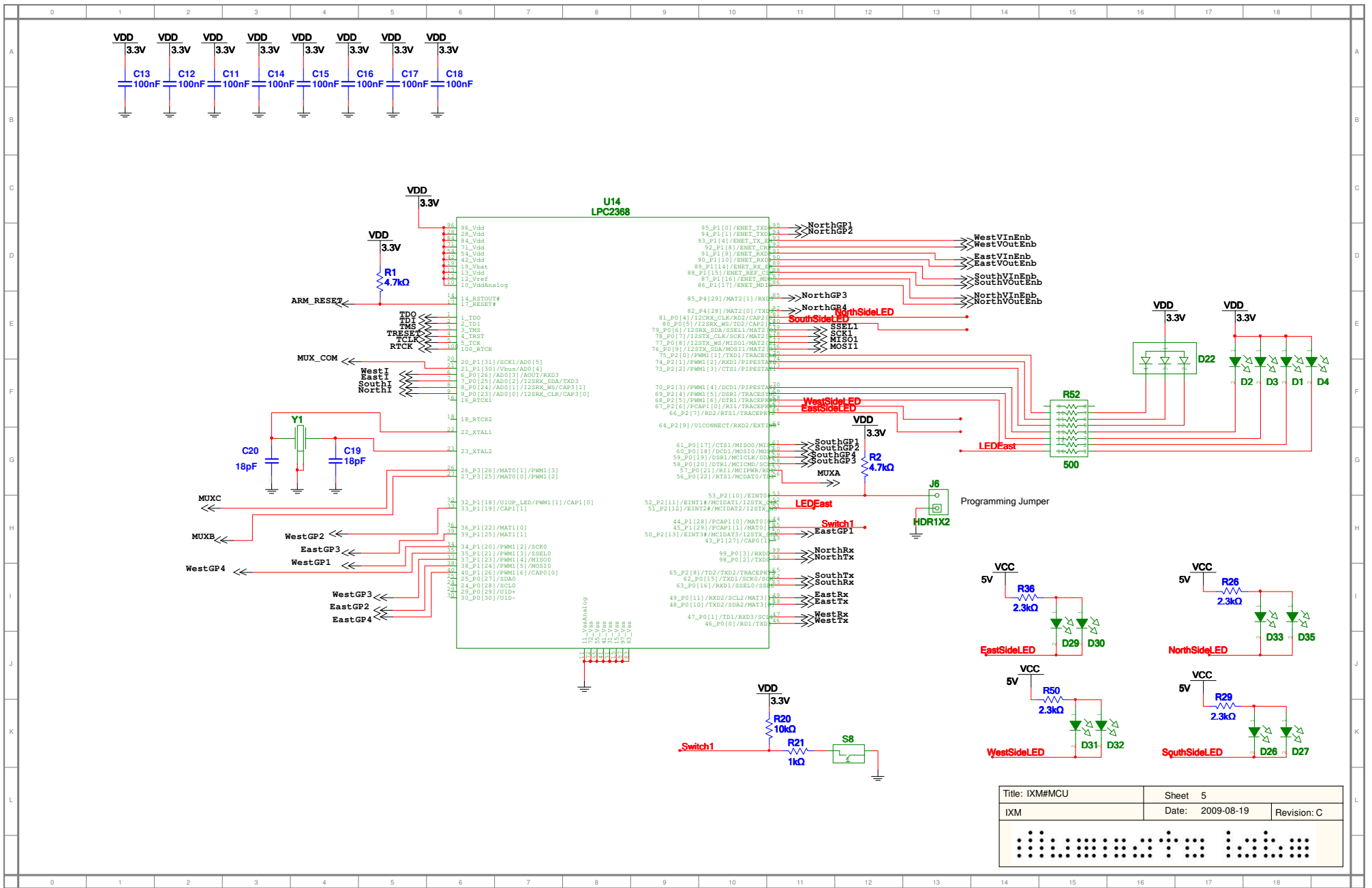


Buck Regulator

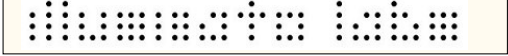


Voltage References

Title: IXM#PowerSupply	Sheet 4
IXM	Date: 2009-08-19 Revision: C



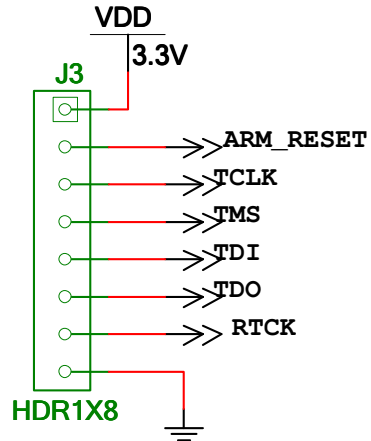
Title: IXM#MCU	Sheet 5
IXM	Date: 2009-08-19 Revision: C



ARM 20-PIN interface

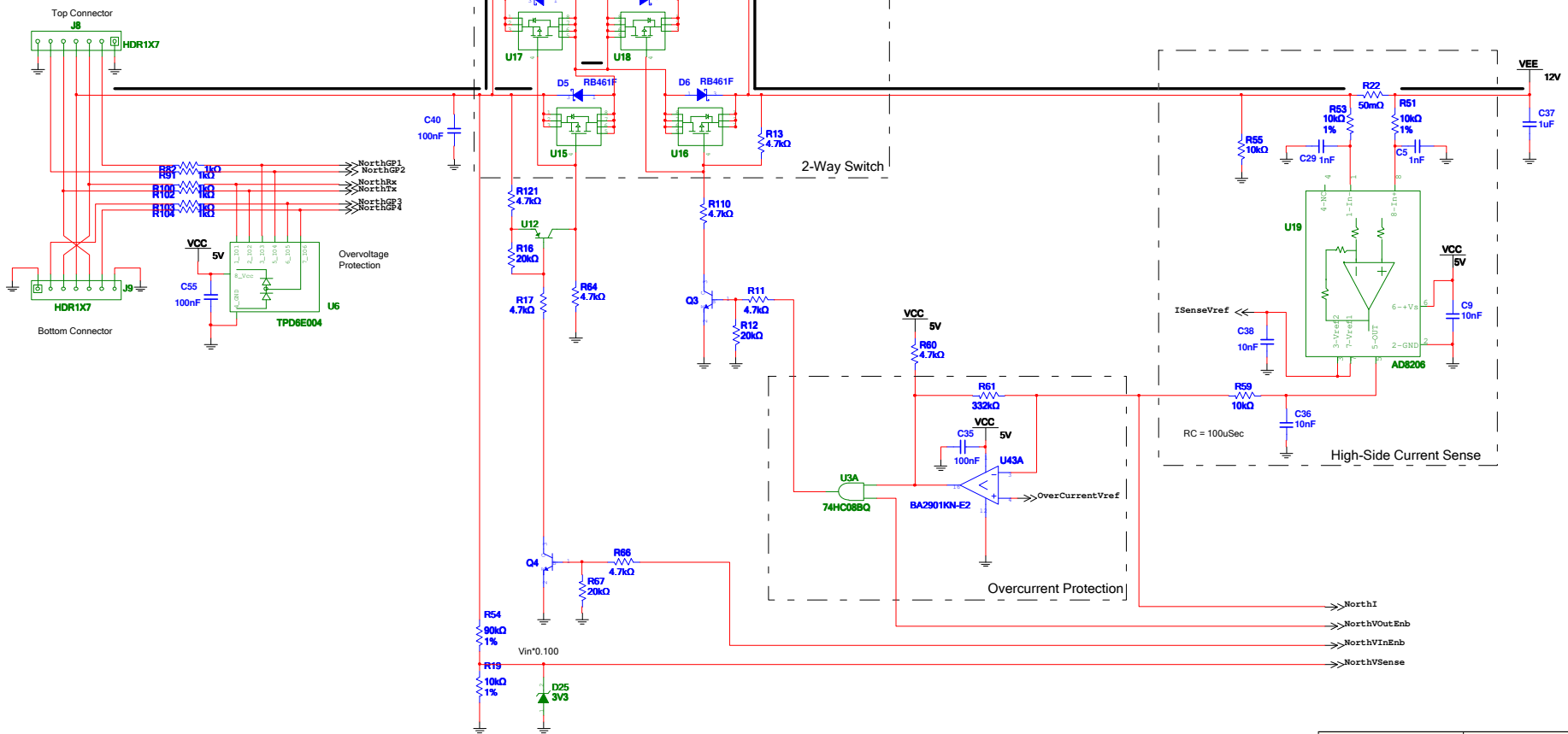
VCC	1	□	□	2	VCC (optional)
TRST	3	□	□	4	GND
TDI	5	□	□	6	GND
TMS	7	□	□	8	GND
TCLK	9	□	□	10	GND
RTCK	11	□	□	12	GND
TDO	13	□	□	14	GND
RESET	15	□	□	16	GND
N/C	17	□	□	18	GND
N/C	19	□	□	20	GND

JTAG Connector
Looking down at MALE pcb header

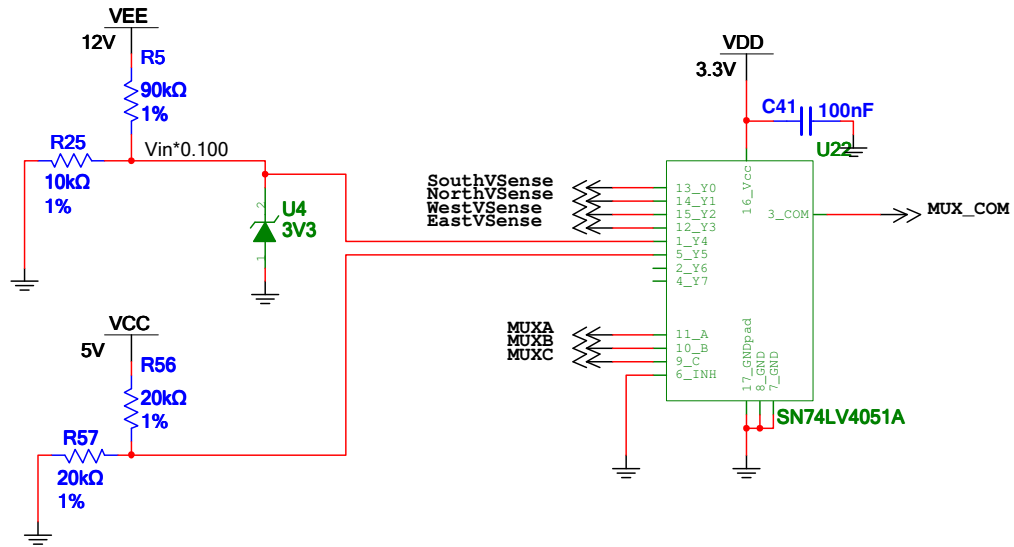


Title: IXM#JTAG		Sheet 6	
IXM		Date: 2009-08-19	Revision: C

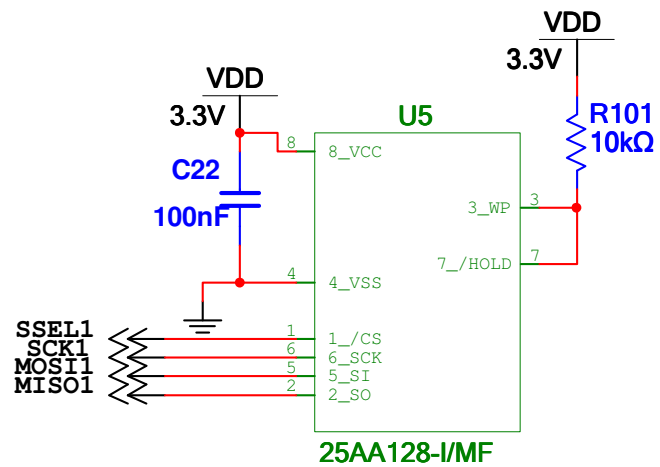
North



Title: IXM#North	Sheet 7
IXM	Date: 2009-08-19 Revision: C



Title: IXM#AnalogMUX	Sheet 8
IXM	Date: 2009-08-19 Revision: C



128k EEPROM

Title: IXM#EEPROM		Sheet 9	
IXM		Date: 2009-08-19	Revision: A